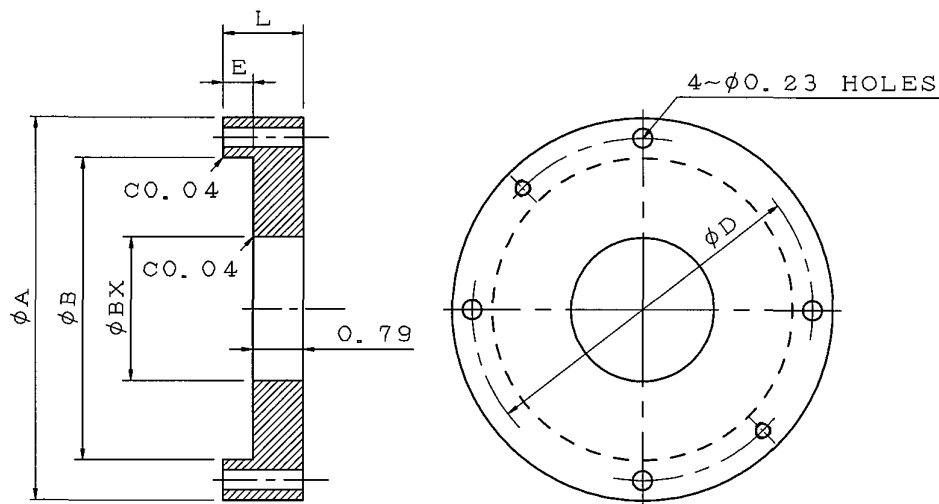


ISSUED JAN. 16 2010	OUTLINE DIMENSIONS SHEET STEADY BUSH FOR HOLLOW SHAFT PUMP MOTOR FRAME SIZE (SSV) 444TP ~ 449TP	MODEL AMRCNH
REVISED		



DIMENSIONS IN INCHES

FRAME SIZE	BX	A	B	D	E	L
444TP 445TP	1.188	4.09	3.15	3.62	0.31	1.10
	1.251					
	1.438					
	1.501					
	1.688*					
	1.751					
	1.938					
445TP20 447TP 449TP	1.438	4.49	3.54	4.02	0.47	1.26
	1.501					
	1.688*					
	1.751					
	1.938					
	2.001					
	2.063					
	2.126*					
	2.188					
	2.251					
	2.376					
	2.438					
	2.501					

NOTE: 1. TOLERANCE ON BX DIMENSION AS FOLLOWS UP TO 1.500 INCHES: +0.001INCH, -0.000INCH
LARGER THAN 1.500 INCHES: +0.0015INCH, -0.000INCH
2. * MARKED TABLE APPLIED TO STANDARD SIZE
444TP~445TP: BX=1.688, 445TP20 & 447TP: BX=1.688; 449TP: BX=2.126

APPD. C. WANG	JAN. 19. 2010	TECO Electric & Machinery Co., Ltd.	DWG NO.
CHKD. B. LIN	JAN. 18. 2010		4B049M680E
DWN. H. CHEN	JAN. 16. 2010		REV.00