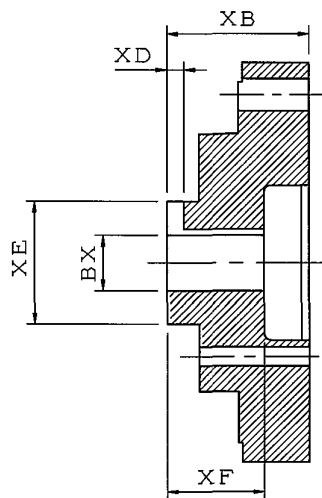
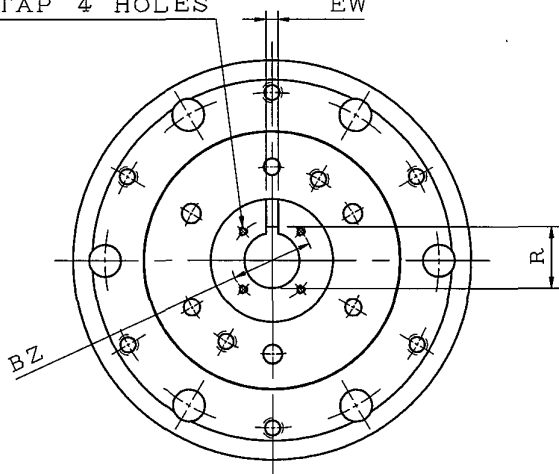


ISSUED JAN. 16 2010	OUTLINE DIMENSIONS SHEET DRIVE COUPLING FOR HOLLOWSHAFT PUMP MOTOR FRAME SIZE (SSV) 444TP ~ 449TP	MODEL AMRCNH
REVISED		

BY TAP 4 HOLES EW



DIMENSIONS IN INCHES

FRAME SIZE	BX	BY	BZ	EW	R	XB	XD	XE	XF
444TP 445TP	1.188	1/4-20	1.750	0.250	1.304	4.350	0.406	3.740	2.875
	1.251	1/4-20	1.750	0.250	1.367	4.350	0.406	3.740	2.875
	1.438	1/4-20	2.125	0.375	1.605	4.350	0.531	3.740	2.875
	1.501	1/4-20	2.125	0.375	1.669	4.350	0.531	3.740	2.875
	1.688*	1/4-20	2.500	0.375	1.859	4.350	0.531	3.740	2.875
	1.751	1/4-20	2.500	0.375	1.922	4.350	0.531	3.740	2.875
	1.938	1/4-20	2.500	0.500	2.160	4.350	0.688	3.740	2.875
445TP20 447TP 449TP	1.438	1/4-20	2.125	0.375	1.605	4.740	0.531	4.725	3.071
	1.501	1/4-20	2.125	0.375	1.669	4.740	0.531	4.725	3.071
	1.688*	1/4-20	2.500	0.375	1.859	4.740	0.531	4.725	3.071
	1.751	1/4-20	2.500	0.375	1.922	4.740	0.531	4.725	3.071
	1.938	1/4-20	2.500	0.500	2.160	4.740	0.688	4.725	3.071
	2.001	3/8-16	3.250	0.500	2.223	4.740	0.688	4.725	3.071
	2.063	3/8-16	3.250	0.500	2.287	4.740	0.688	4.725	3.071
	2.126*	3/8-16	3.250	0.500	2.350	4.740	0.688	4.725	3.071
	2.188	3/8-16	3.250	0.500	2.414	4.740	0.688	4.725	3.071
	2.251	3/8-16	3.250	0.500	2.477	4.740	0.688	4.725	3.071
	2.376	3/8-16	3.250	0.625	2.651	4.740	0.813	4.725	3.071
	2.438	3/8-16	3.250	0.625	2.714	4.740	0.813	4.725	3.071
	2.501	3/8-16	3.250	0.625	2.778	4.740	0.813	4.725	3.071

NOTE: 1. TOLERANCE ON BX DIMENSION AS FOLLOWS UP TO 1.500 INCHES: +0.001INCH, -0.000INCH
LARGER THAN 1.500 INCHES: +0.0015INCH, -0.000INCH
2. DIMENSION EW TOLERANCE: +0.002INCH, -0.000INCH
3. DIMENSION R TOLERANCE: +0.010INCH, -0.000INCH
4. * MARKED TABLE APPLIED TO STANDARD SIZE
444TP-445TP: BX=1.688, 445TP20 & 447TP: BX=1.688; 449TP: BX=2.126

APPD.	C. WANG	JAN. 14 2010	TECO Electric & Machinery Co., Ltd.	DWG NO.	4B049M679E
CHKD.	B. LIN	JAN. 18 2010		REV.00	
DWN.	H. CHEN	JAN. 16 2010			