

FIG. 1

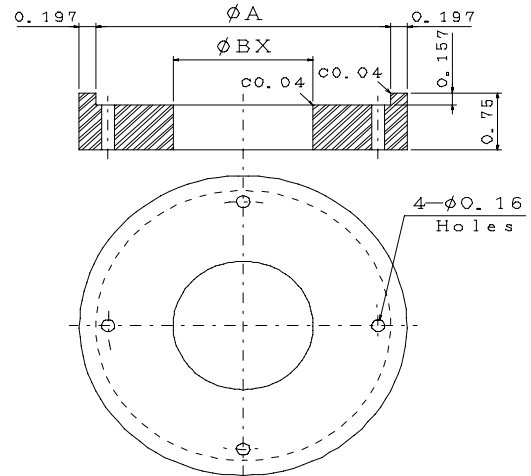


FIG. 2

Dimension in inches

FRAME	FIG. No.	A	BX	FRAME	FIG. No.	A	BX
213T 215T	FIG.1	1.58 (6208ZZ) *1.77 (6209ZZ)	0.751	324T 326T	FIG.2	2.83	1.001
			0.876				*1.188
			0.938				1.251
			*1.001				1.438
254T 256T	FIG.1	1.77	0.751	364T 365T	FIG.2	3.03	1.501
			0.876				1.001
			*1.001				*1.188
			1.188				1.251
284T 286T	FIG.1	2.17	1.251	404T 405T	FIG.2	3.54	1.501
			0.751				1.188
			0.876				1.251
			1.001				1.438
			1.188				1.501
			0.876				1.688
			*1.188				1.751
			1.251				

Note : 1. Tolerance On BX Dimension Up To And Including 1.500 inches Diameter : 0 ~ +0.001 inches;
Larger Than 1.500 inches Diameter : 0 ~ +0.0015 inches.
2. * Marked, Applied To Standard Size For Each Frame.